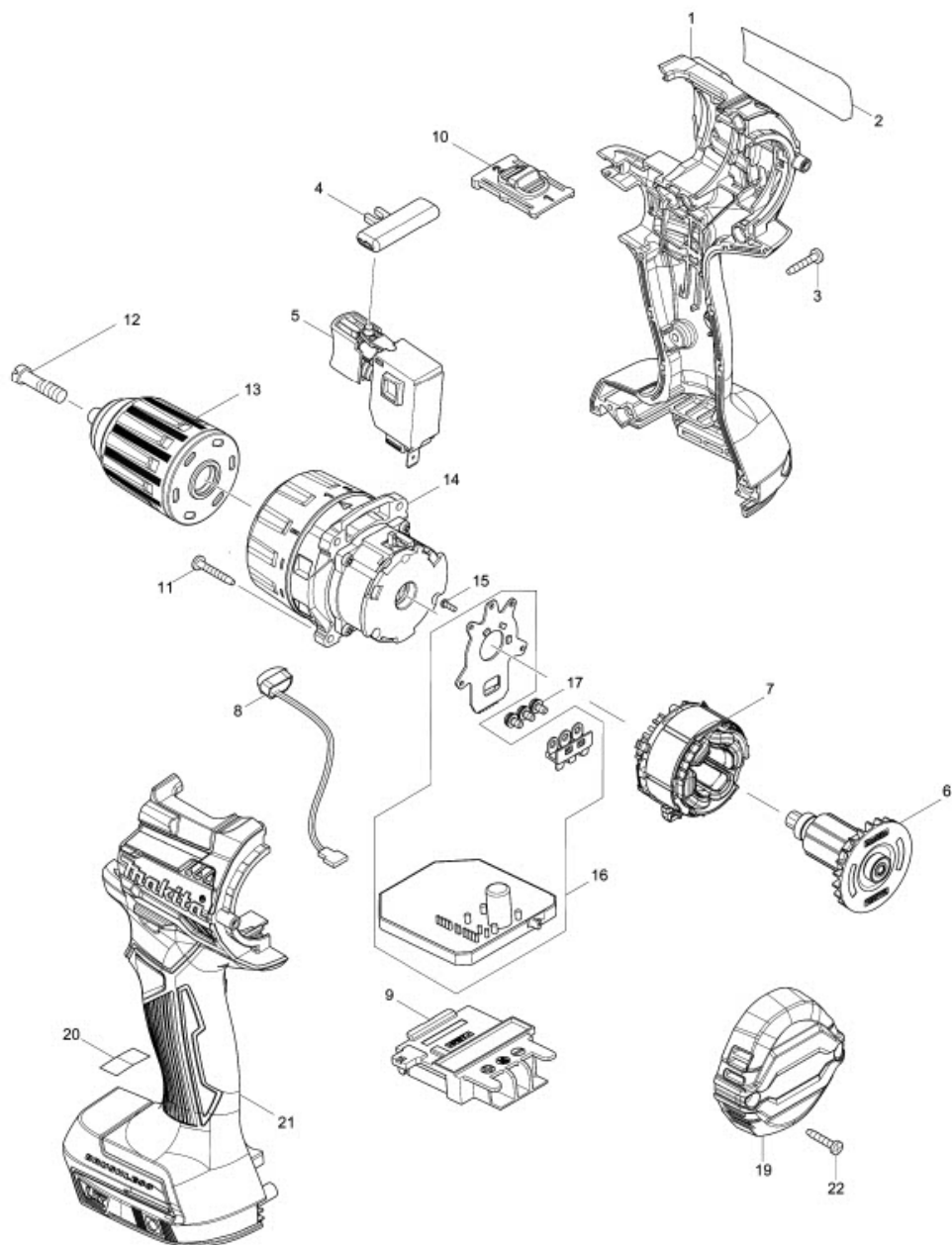


# Part Diagram

Model No.DDF484 CORDLESS DRIVER DRILL



Item	Sub	Parts No.	Parts Description	Qty
1		183E71-3	HOUSING SET	1
1	C10	263005-3	RUBBER PIN 6	2
1	C20	252126-6	HEX. LOCK NUT M4-7	2
1	D10		INC. 21	
001-1		183L79-9	HOUSING SET	1
001-1	C10	263005-3	RUBBER PIN 6	2
001-1	C20	252126-6	HEX. LOCK NUT M4-7	2
001-1	D10		INC. 21	
2		852M14-1	DDF484 NAME PLATE	1
3		266429-2	TAPPING SCREW 3X16	7
4		419041-9	F/R CHANGE LEVER	1
5		650710-5	SWITCH C3JW-4B	1
6		619406-7	ROTOR	1
006-1		619406-7	ROTOR	1
7		629225-3	STATOR	1
8		620549-0	LED CIRCUIT	1
9		643874-2	TERMINAL	1
10		123738-1	SPEED CHANGE LEVER ASSEMBLY	1
10	C10	233438-6	COMPRESSION SPRING 4	2
11		251497-8	TAPPING SCREW 3X20	4
12		251468-5	- FLAT HEAD SCREW M6X22	1
13		766027-7	KEYLESS DRILL CHUCK 13	1
14		123737-3	GEAR ASSEMBLY	1
014-1		127500-6	GEAR ASSEMBLY	1
15		266490-9	TAPPING SCREW PT 2X6	3
16		620548-2	CONTROLLER	1
17		652069-6	FLAT HEAD SCREW M3X6	3
19		456967-4	REAR COVER	1
21		183E71-3	HOUSING SET	1
21	C10	263005-3	RUBBER PIN 6	2
21	C20	252126-6	HEX. LOCK NUT M4-7	2
21	D10		INC. 1	
021-1		183L79-9	HOUSING SET	1
021-1	C10	263005-3	RUBBER PIN 6	2
021-1	C20	252126-6	HEX. LOCK NUT M4-7	2
021-1	D10		INC. 1	
22		266429-2	TAPPING SCREW 3X16	2
A01		251314-2	+ SCREW M4X12	1
A02		346317-0	HOOK	1
A03		784637-8	+ BIT 2-45	1
A04		158597-4	PLASTIC CASE COMPLETE	1
A04B	C10	417724-5	LATCH	2
A05		450128-8	BATTERY COVER	1
A06		***DC18RC	DC18RC FAST CHARGER	1
A06B	D10		COMPO-PARTS	
A07B		197600-6	BATTERY BL1830B SET	2
A07C		197265-4	BATTERY BL1840B SET	2
A07D		197280-8	BATTERY BL1850B SET	2
A07-1B		197600-6	BATTERY BL1830B SET	2
A07-1C		197265-4	BATTERY BL1840B SET	2
A07-1D		197280-8	BATTERY BL1850B SET	2